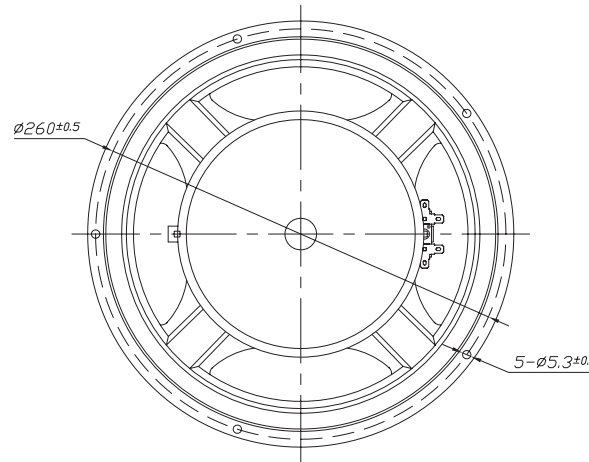
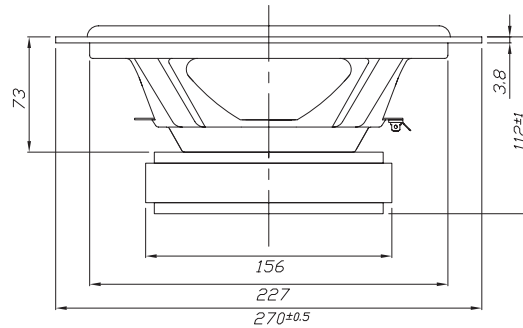
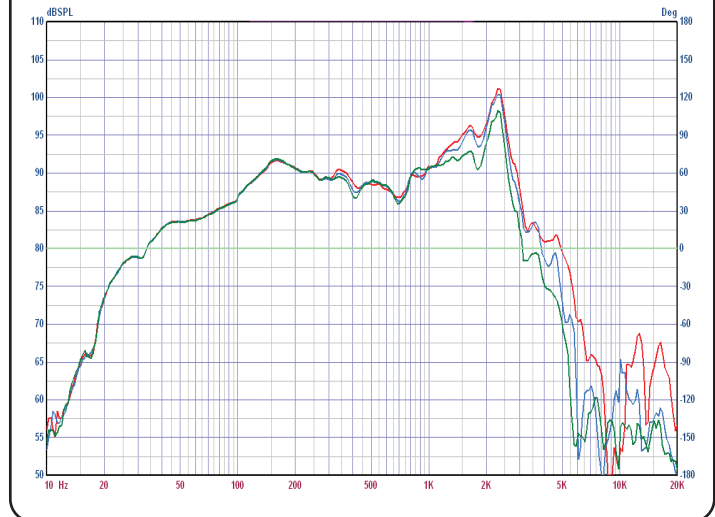
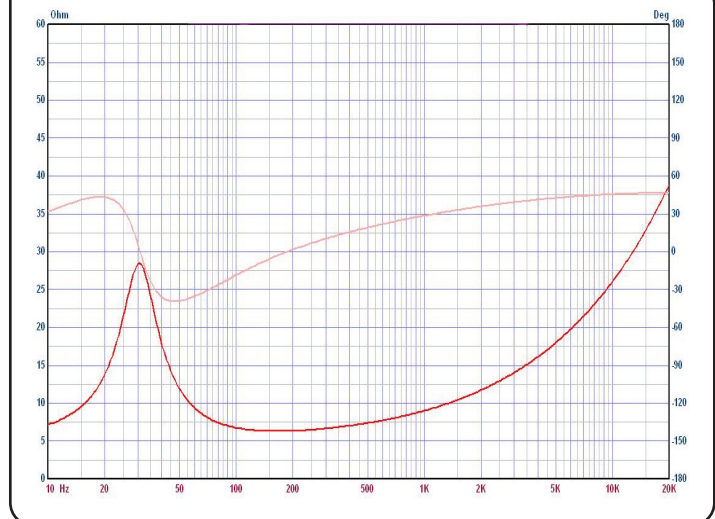


DS270-8**10" Designer Series Woofer****DS270-8****10" Designer Series Woofer****Features**

- Rigid poly coated paper cone with rubber surround
- 1-1/2" 2-layer copper voice coil on aluminum former
- Linear Conex spider and strong ferrite motor for controlled motion
- Vented pole piece to reduce compression and increase heat dissipation
- Cosmetic stamped steel frame with low-profile lip no countersinking required
- Frequency response (.frd) and impedance (.zma) text files available
- Same "family look" as the Dayton Audio DVC series subwoofers and passive radiators



Note: All dimensions in mm.

Frequency Response**Impedance/Phase****Parameters**

| | |
|-----------------------------|------------|
| Impedance (Ω) | 8 |
| Re (Ω) | 5.4 |
| Le (mH) @ 1 kHz | 1.15 |
| Fs (Hz) | 30.7 |
| Qms | 2.31 |
| Qes | 0.55 |
| Qts | 0.44 |
| Mms (g) | 56.4 |
| Cms (mm/N) | 0.48 |
| Sd (cm ²) | 353.0 |
| Vd (cm ³) | 1941.4 |
| BL (Tm) | 10.4 |
| VAS (liters) | 84.6 |
| XMAX (mm) | 5.5 |
| VC Diameter (mm) | 38.5 |
| SPL (dB@2.83W/1m) | 90.1 |
| RMS Power Handling (w) | 100 |
| Usable Frequency Range (Hz) | 30 - 3,000 |