

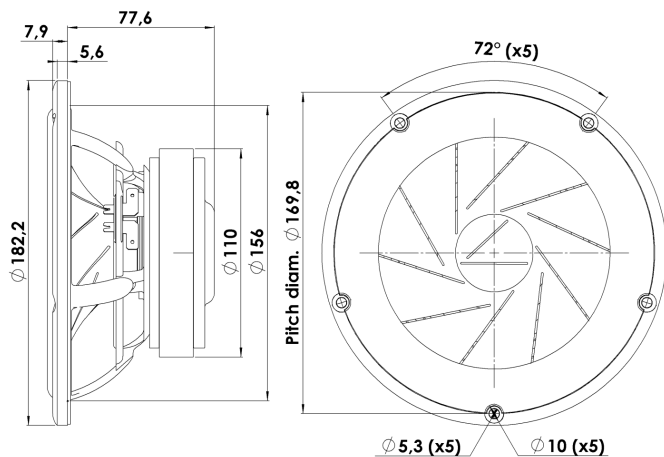


REVELATOR

MIDWOOFER

18W/4531G01

The Revelator midrange and midwoofers, both well known for their sliced paper cone technology. The slices are filled with damping glue, which dramatically reduces break-up modes in the diaphragm. In combination with Scan-Speaks low-loss linear suspension and the patented Symmetrical Drive (SD-1) it represented a breakthrough in midrange clarity and overall smooth frequency response characteristics.



KEY FEATURES:

- Patented Symmetrical Drive Motor Design
- Wood Fibre Cone
- Low Damping SBR Rubber Surround
- Sliced Cone (Controls Cone Breakups)
- Low-Loss linear suspension
- Large Ferrite Magnet System

T-S Parameters

Resonance frequency [fs]	34 Hz
Mechanical Q factor [Qms]	4.90
Electrical Q factor [Qes]	0.38
Total Q factor [Qts]	0.35
Force factor [Bl]	5.7 Tm
Mechanical resistance [Rms]	0.74 kg/s
Moving mass [Mms]	16.9 g
Suspension compliance [Cms]	1.3 mm/N
Effective diaph. diameter [D]	142 mm
Effective piston area [Sd]	157 cm ²
Equivalent volume [Vas]	45.6 l
Sensitivity (2.83V/1m)	89 dB
Ratio Bl/√Re	3.05 N/√W
Ratio fs/Qts	97 Hz

Notes:

IEC specs. refer to IEC 60268-5 third edition.
All Scan-Speak products are RoHS compliant.
Data are subject to change without notice.
Datasheet updated: March 11, 2011.

Electrical Data

Nominal impedance [Zn]	4 Ω
Minimum impedance [Zmin]	4.4 Ω
Maximum impedance [Zo]	40.0 Ω
DC resistance [Re]	3.5 Ω
Voice coil inductance [Le]	0.27 mH

Power Handling

100h RMS noise test (IEC 17.1)	70 W
Long-term max power (IEC 17.3)	- W

Voice Coil and Magnet Data

Voice coil diameter	38 mm
Voice coil height	18 mm
Voice coil layers	2
Height of gap	5 mm
Linear excursion	± 6.5 mm
Max mech. excursion	± 11 mm
Unit weight	1.7 kg

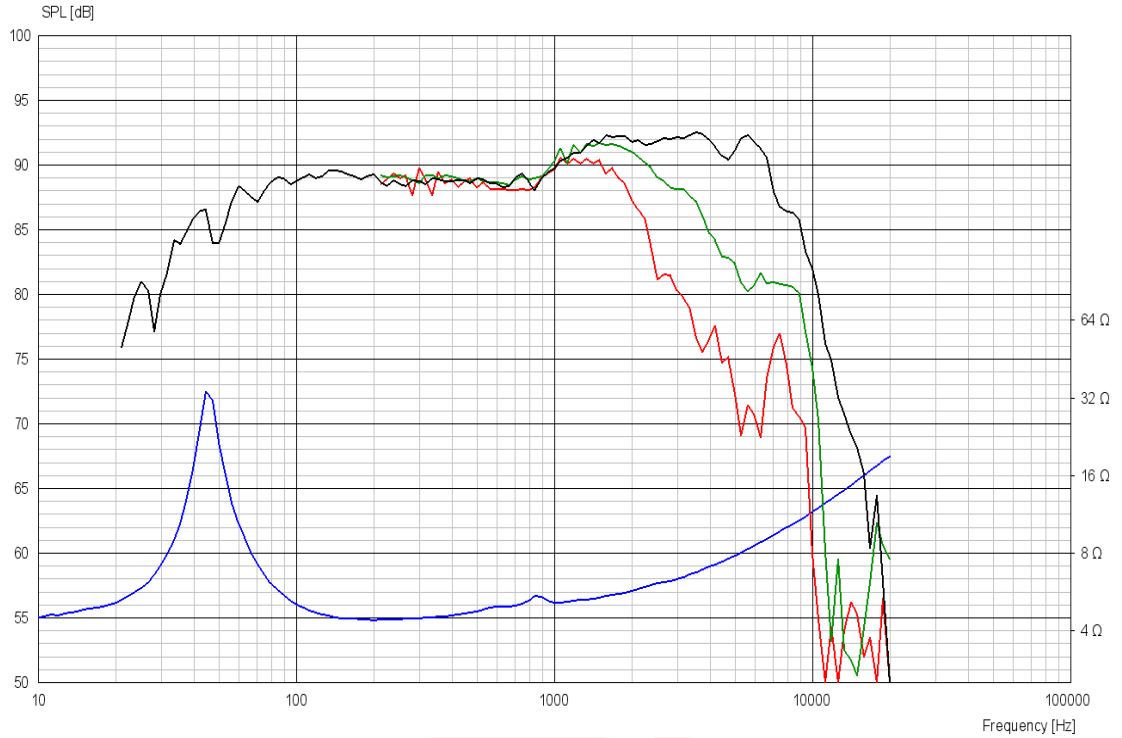




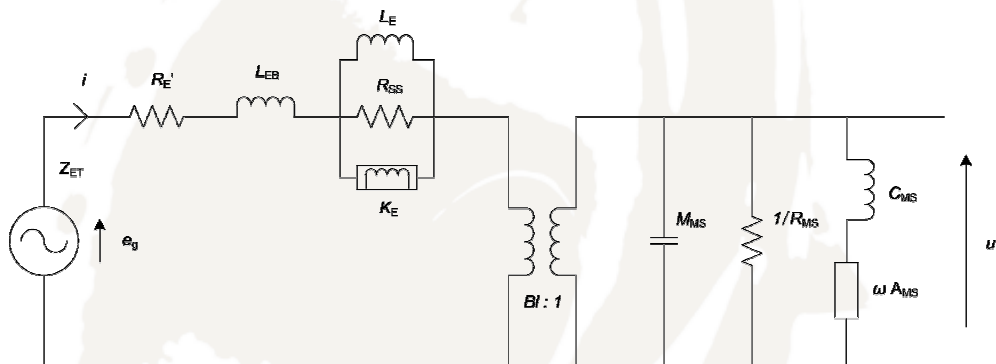
REVELATOR

MIDWOOFER

18W/4531G01



Advanced Parameters (Preliminary)



Electrical data:

Resistance [Re']	- Ω
Free inductance [Leb]	- mH
Bound inductance [Le]	- mH
Semi-inductance [Ke]	- SH
Shunt resistance [Rss]	- Ω

Mechanical Data

Force Factor [BI]	- Tm
Moving mass [Mms]	- g
Compliance [Cms]	- mm/N
Mechanical resistance [Rms]	- kg/s
Admittance [Ams]	- mm/N

