

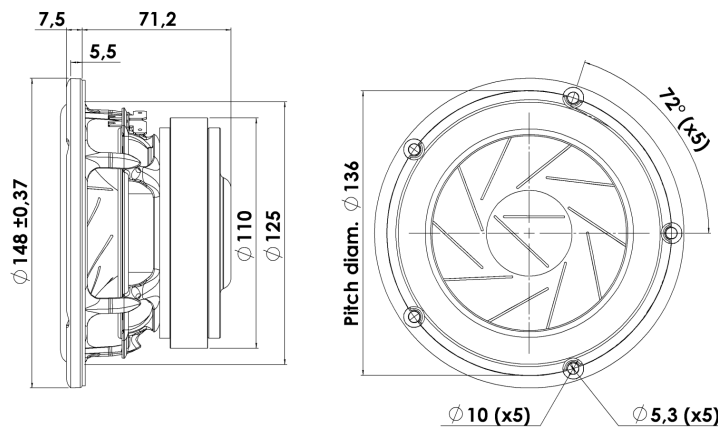


# REVELATOR

## MIDRANGE

## 15M/4531K00

The Revelator midranges are well known for their sliced paper cone technology. The slices are filled with damping glue, which dramatically reduces break-up modes in the diaphragm. In combination with Scan-Speaks low-loss linear suspension and the patented Symmetrical Drive (SD-1) it represented a breakthrough in midrange clarity and overall smooth frequency response characteristics.



### KEY FEATURES:

- Excellent Midrange Reproduction
- Sliced Cone (Controls Cone Breakups)
- High Output 90dB @ 2,83V
- Patented Symmetrical Drive motor design
- Low-loss linear suspension
- Die cast Alu Chassis vented below spider

#### T-S Parameters

Resonance frequency [fs]	35 Hz
Mechanical Q factor [Qms]	4.80
Electrical Q factor [Qes]	0.24
Total Q factor [Qts]	0.23
Force factor [Bl]	6 Tm
Mechanical resistance [Rms]	0.50 kg/s
Moving mass [Mms]	11 g
Suspension compliance [Cms]	1.88 mm/N
Effective diaph. diameter [D]	110 mm
Effective piston area [Sd]	95 cm <sup>2</sup>
Equivalent volume [Vas]	23.8 l
Sensitivity (2.83V/1m)	90 dB
Ratio Bl/√Re	3.21 N/√W
Ratio fs/Qts	153 Hz

#### Notes:

IEC specs. refer to IEC 60268-5 third edition.  
All Scan-Speak products are RoHS compliant.  
Data are subject to change without notice.  
Datasheet updated: February 22, 2011.

#### Electrical Data

Nominal impedance [Zn]	4 Ω
Minimum impedance [Zmin]	4.2 Ω
Maximum impedance [Zo]	73.5 Ω
DC resistance [Re]	3.5 Ω
Voice coil inductance [Le]	0.17 mH

#### Power Handling

100h RMS noise test (IEC 17.1)	50 W
Long-term max power (IEC 17.3)	150 W

#### Voice Coil and Magnet Data

Voice coil diameter	38 mm
Voice coil height	11 mm
Voice coil layers	2
Height of gap	5 mm
Linear excursion	± 3 mm
Max mech. excursion	± 8 mm
Unit weight	1.7 kg

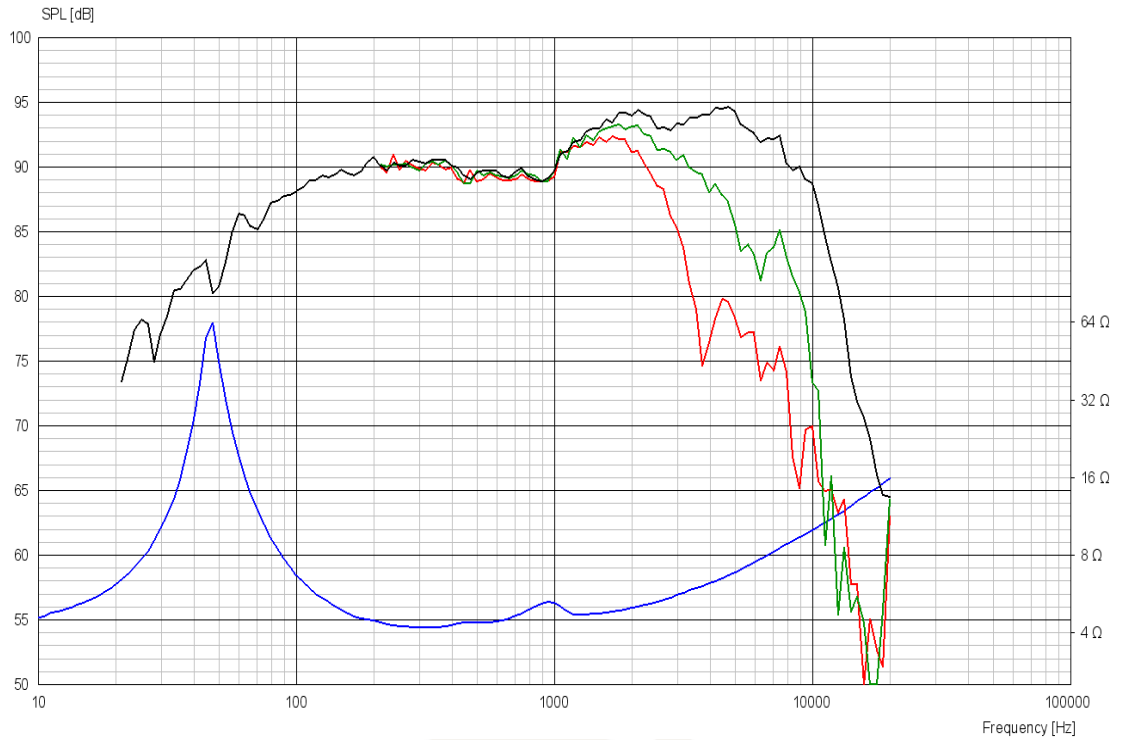




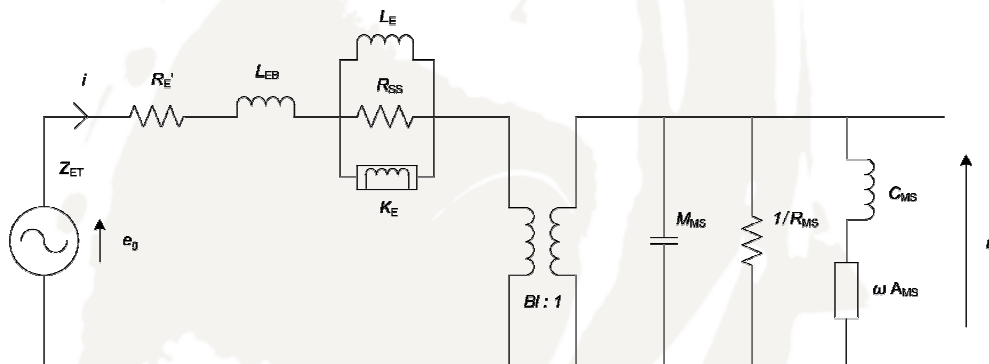
# REVELATOR

## MIDRANGE

## 15M/4531K00



### Advanced Parameters (Preliminary)



#### Electrical data:

Resistance [Re']	3.73 Ω
Free inductance [Leb]	0.0639 mH
Bound inductance [Le]	0.590 mH
Semi-inductance [Ke]	0.0184 SH
Shunt resistance [Rss]	1812 Ω

#### Mechanical Data

Force Factor [Bl]	6.19 Tm
Moving mass [Mms]	15.0 g
Compliance [Cms]	0.950 mm/N
Mechanical resistance [Rms]	0.131 kg/s
Admittance [Ams]	0.122 mm/N

